



MADE IN U.S.A.

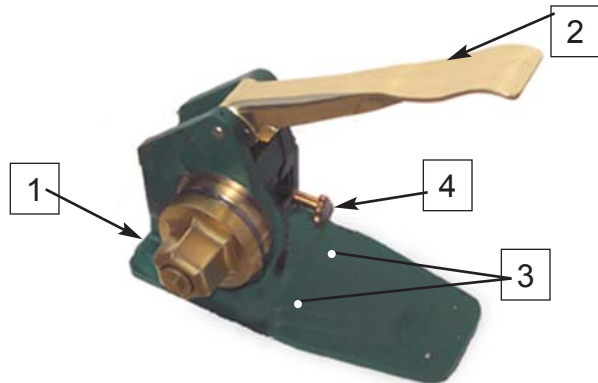
Mean Green Machine

Thank-you for purchasing A-1's Mean Green Machine. This code-cutting punch features automatic key advance and interchangeable vise assembly. Because of the interchangeability, you have the capability to punch a variety of SFIC (small format interchangeable core), including standard SFIC (included) or the optional Medeco KeyMark (7° or 14°) or Arrow Flexcore.

The Mean Green Machine can rest on your workbench or it can be mounted securely to the bench by means of the two mounting holes located in the base. We suggest that you remove the four rubber feet when mounting the machine.

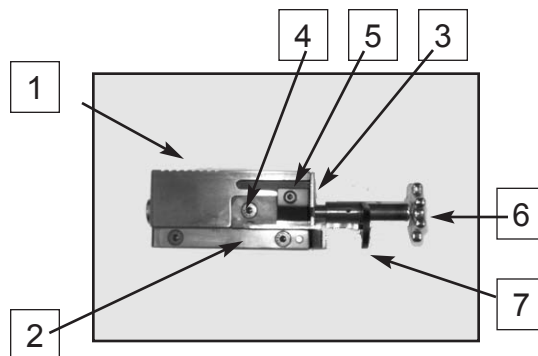
Basic Parts Identification

1. Depth Knob
2. Paddle Handle
3. Mounting Holes
4. Vise assembly



Vise Detail

1. Key Carrier Block
2. Carrier Wear Plate
3. Key Support
4. Stop
5. Holding Clip
6. Key Holding Shaft
7. Pressure Plate



Accessory Vises are available as follows:

- | | |
|-----------|--------------------|
| GP201-KM | For Medeco KeyMark |
| GP201-FA2 | For Arrow Flexcore |

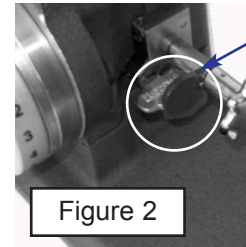
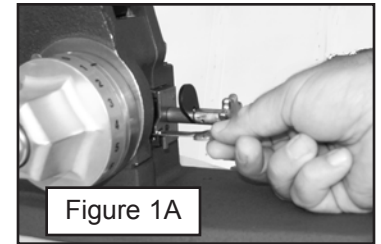
Cutting A Key

Pull out on the Key Holding Shaft assembly, which will cause the Key Carrier Block to slide out to a stop. Rotate the Pressure Plate to the eleven o'clock position as shown in the illustration.

Figure 1 A - Insert the tip of your key blank thru the opening in the Key Support and under the Holding Clip.

Please Note:

A limited number of restricted key blanks may be too thin for the standard vise assembly. If you find that your key is too thin to hold securely in the vise, please contact the factory for instructions on making minor vise adjustments.



Note

Pressure plate secures the key blank

Figure 2 - Continue pushing the key blank in until it rests against the Stop. Pull out on the Key Holding Shaft until it can be rotated counter clockwise to a point where the pressure plate is centered on the bow of the key and then release it. This will apply constant inward pressure on the key keeping it firmly against the Stop.

Rotate the Depth Knob to the desired setting and with a quick downward thrust on the paddle, cut the first position.

Allowing the handle to return to its upright position will automatically index the key to the next position. Repeat the steps for all remaining cuts.

When finished with all cuts, pull out on the Key Holding Shaft and rotate it clockwise to the eleven o'clock position. Remove the cut key.

Vise Removal

Locate the Stop Pin Actuator near the bottom right side of the base of the machine. Using a flat blade screwdriver rotate the screw counter clockwise until you feel slight resistance. Continue turning until the screw slot lines up with the white dot.



Pull out on the Key Holding Shaft to remove the entire Vise assembly.

To re-install simply insert the Vise and push it in as far as it will go. Rotate the Stop Pin Actuator counter clockwise slightly until the retaining pin is released to its lock position.

Technical Assistance

*For the latest information on service, accessories or other SFIC tools
Call our Technical Service Department at 1-877-725-2121.*

*A-1 Security Manufacturing Corp.
Richmond, Virginia*

WARRANTY

A-1 Security Manufacturing Corp. (herein "A-1") warrants that the Mean Green Machine manufactured by A-1 and sold to Buyer will be free from defects in material and workmanship for a period of one year from the date of purchase. Unless otherwise agreed, notice of a warranty claim shall be in writing delivered to A-1 and identifying the defective item and such other information as A-1 may reasonably request. Notice may also be given by telephone and promptly by letter.

A-1's obligation under this warranty shall be limited to the repair or, at A-1's option, the replacement of any component or assembly which proves upon examination by an employee, agent or representative of A-1 to have been defective at the time of delivery to Buyer. Any defective parts or components shall be returned by Buyer or the owner to A-1 as a condition to their repair or replacement and any replaced parts or components shall become the property of A-1.

This Warranty Shall Not Apply To The Following:

1. Items that have been repaired or altered outside A-1's factory without written notice to, or authorization by A-1.
2. Items that have been mis-used, neglected or improperly maintained.
3. Items which have not been properly stored or installed, or which have not been operated under normal conditions as may be customary for such equipment.
4. Normal wear.

THIS WARRANTY IS IN LIEU OF ANY AND ALL OTHER WARRANTIES EXPRESSED OR IMPLIED, INCLUDING THE WARRANTIES OF MERCHANT ABILITY AND FITNESS FOR A PARTICULAR PURPOSE. A-1 SHALL NOT BE LIABLE FOR ANY INCIDENTAL OR CONSEQUENTIAL DAMAGES WHICH MAY ARISE IN CONNECTION WITH THE ITEMS SUBJECT TO THIS WARRANTY.

A-1 Security Manufacturing Corp.
3001 West Moore Street
Richmond, Virginia
(804) 359-9003