

A1 VULCAN BUTTON GRABBER

CO2

FIG.1

Use on driver's side with rubber facing the glass. If the door jamb is tight, use solution of 25% liquid soap & 75% water.

DO NOT
apply liquid to rubber

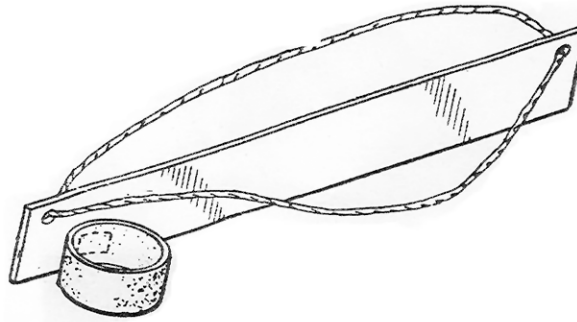


FIG 2.

Pull string to form a right curve of the tool. In those cases where the button is especially low, the rubber loop may not work. Reverse the tool & use the string loop to catch the button.

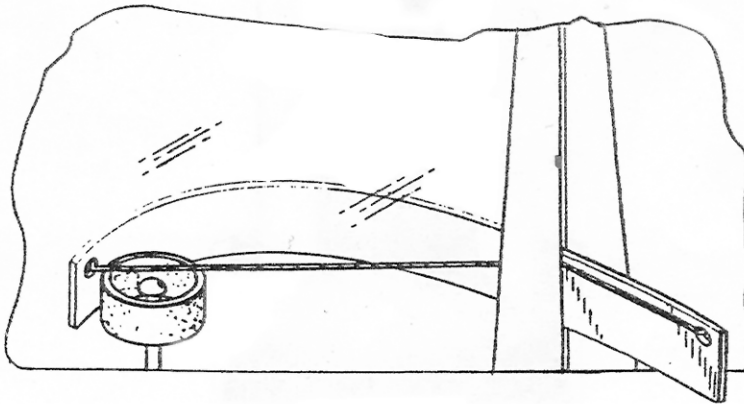
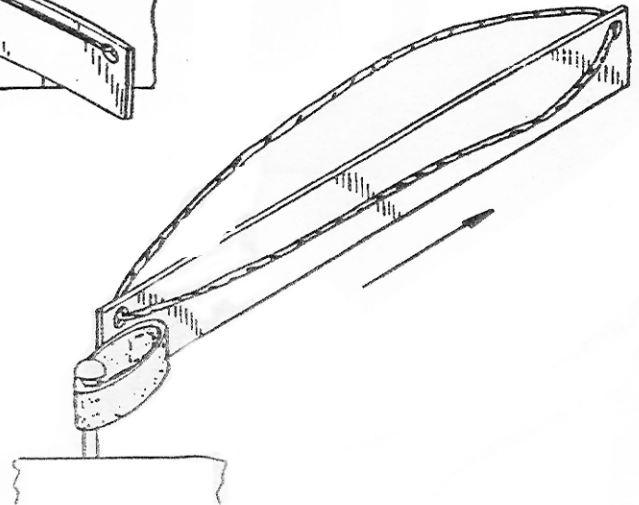


FIG 3

With band around button, pull straight back while stretching the band. Applying pressure, Keep band stretched back while pulling upward.



For longer life, Do not store in direct sun



A1 Security Manufacturing
A Division of Hurd Corp
804-359-9003